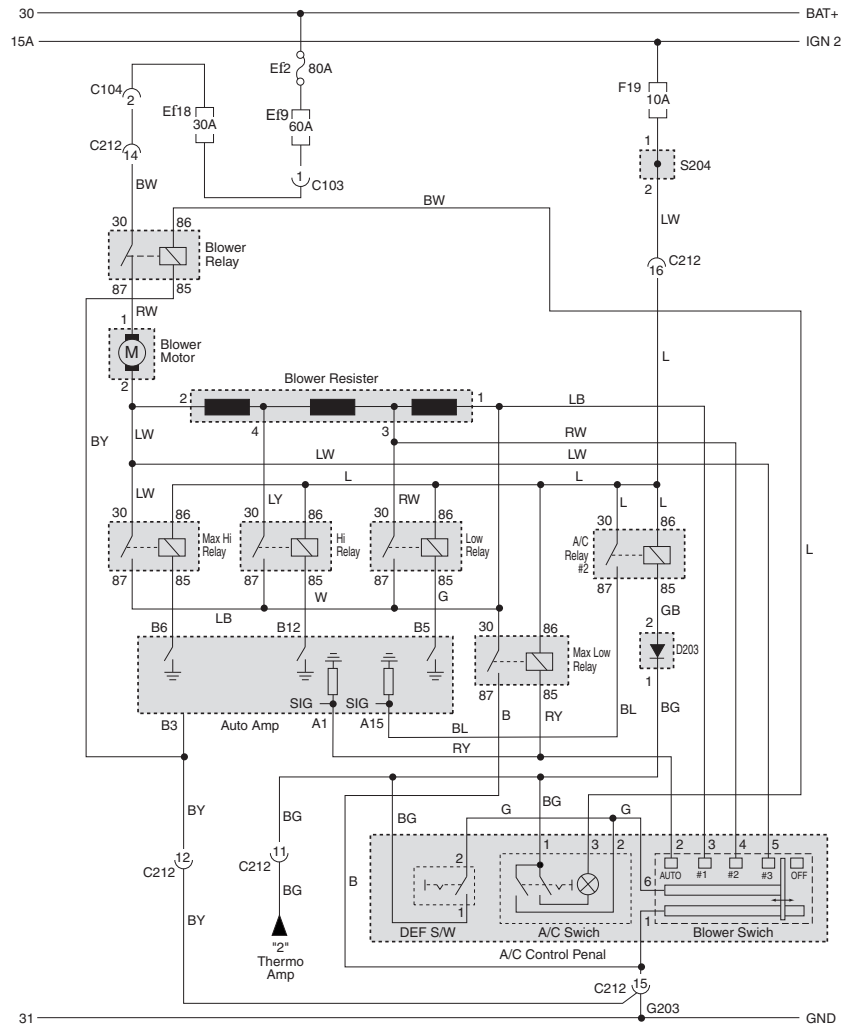


19. SATC (SEMI AUTO TEMPERATURE CONTROL) CIRCUIT

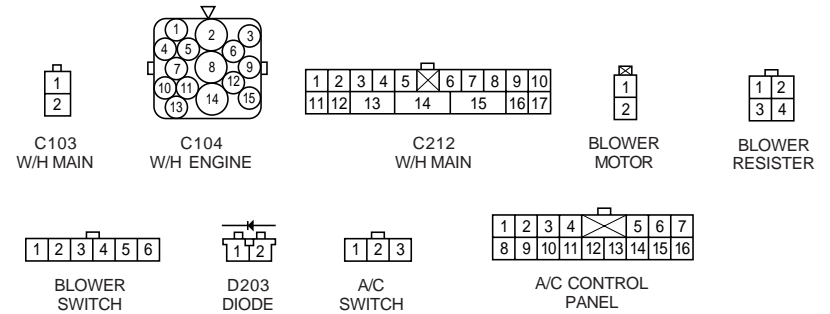
1) BLOWER MOTOR CIRCUIT



a. CONNECTOR INFORMATION

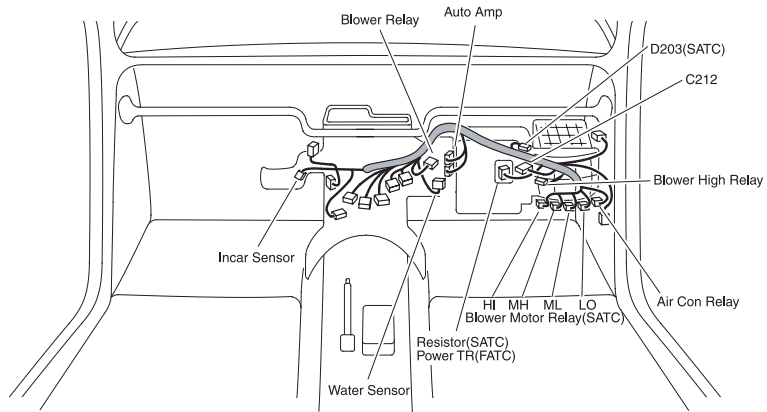
CONNECTOR(NUMBER)	CONNECTING. WIRING HARNESS	CONNECTOR POSITION
C103 (2Pin, White)	Main - Engine	Inside The Engine Room Fuse Block
C104 (15Pin, Black)	Engine - Main	Under The Engine Room Fuse Block
C212 (17Pin, White)	Main - Air Con	Behind The Glove Box
S204 (Black)	Main	Upper Right The Audio
G203	Main	Upper The ECM

b. CONNECTOR IDENTIFICATION SYMBOL & PIN NUMBER POSITION



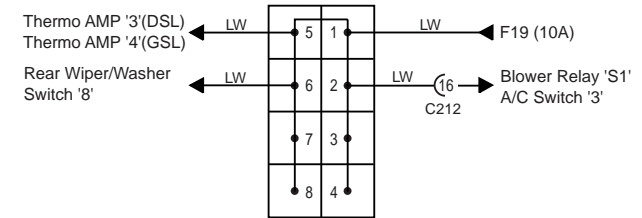
c. POSITION OF CONNECTORS AND GROUNDS

- W/H A/C

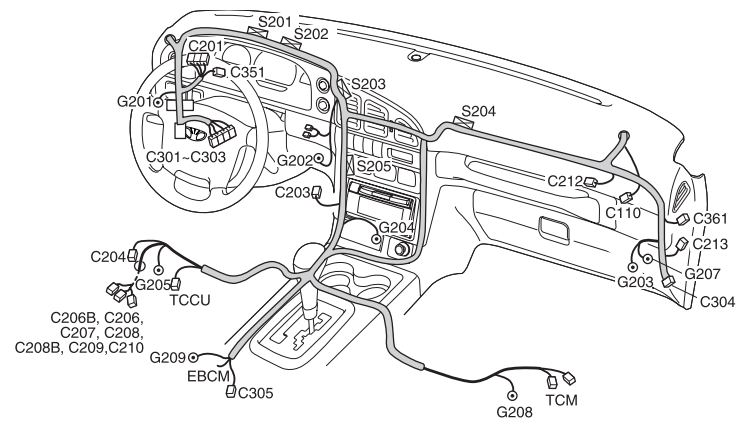


d. SPLICE PACK

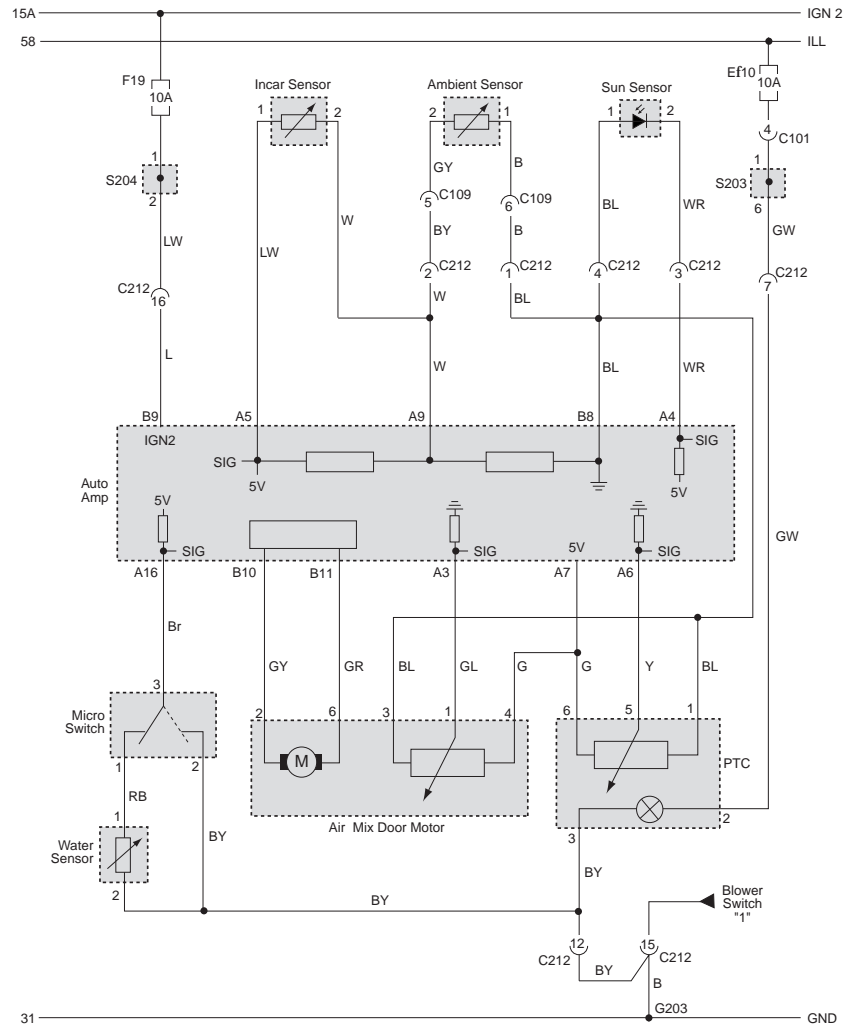
- S204 (BLACK)



- W/H MAIN (I/P)



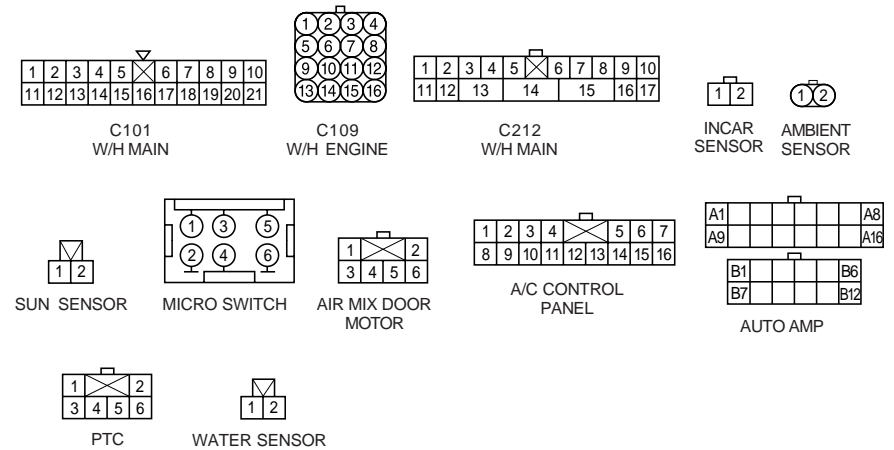
2) SENSOR (AMBIENT, SUN, WATER), AIR MIX DOOR MOTOR CIRCUIT



a. CONNECTOR INFORMATION

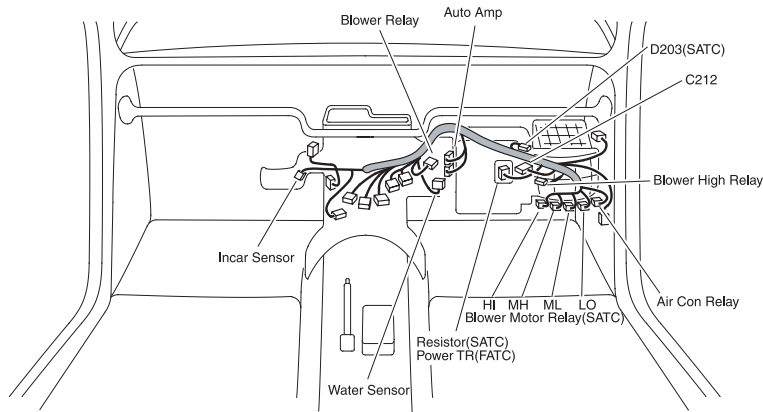
CONNECTOR(NUMBER)	CONNECTING. WIRING HARNESS	CONNECTOR POSITION
C101 (21Pin, Colorless)	Main - Engine	Inside The Engine Room Fuse Block
C109 (16Pin, Black)	Enginex - Main	Under The Coolant Reservoir Tank
C212 (17Pin, White)	Main - Air Con	Behind The Glove Box
S203 (Gray)	Main	Under Right The Audio
S204 (Black)	Main	Upper Right The Audio
G203	Main	Upper The ECM

b. CONNECTOR IDENTIFICATION SYMBOL & PIN NUMBER POSITION

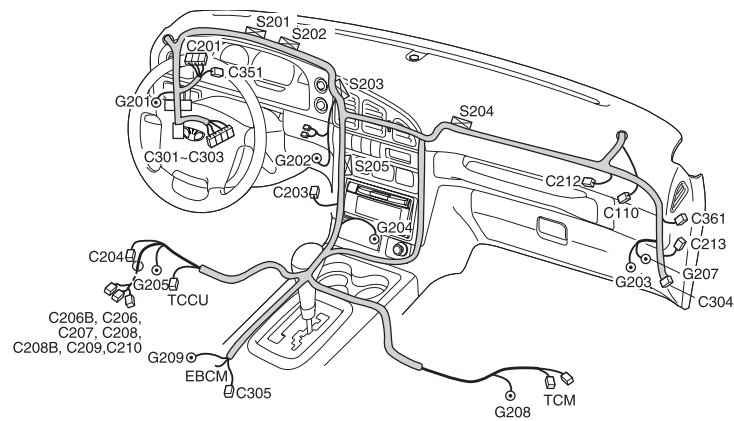


c. POSITION OF CONNECTORS AND GROUNDS

- W/H A/C

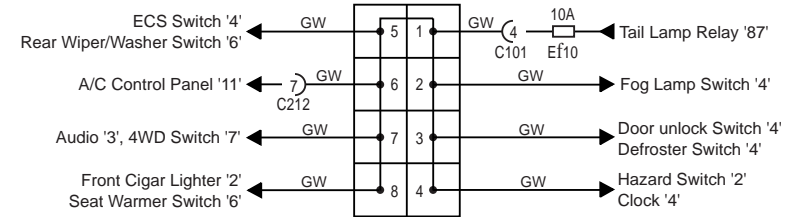


- W/H MAIN (I/P)

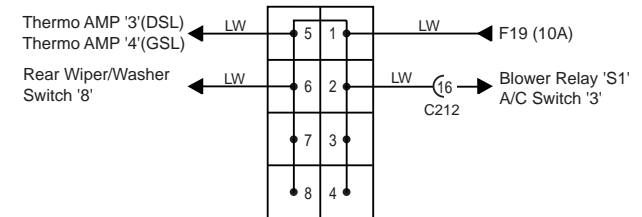


d. SPLICE PACK

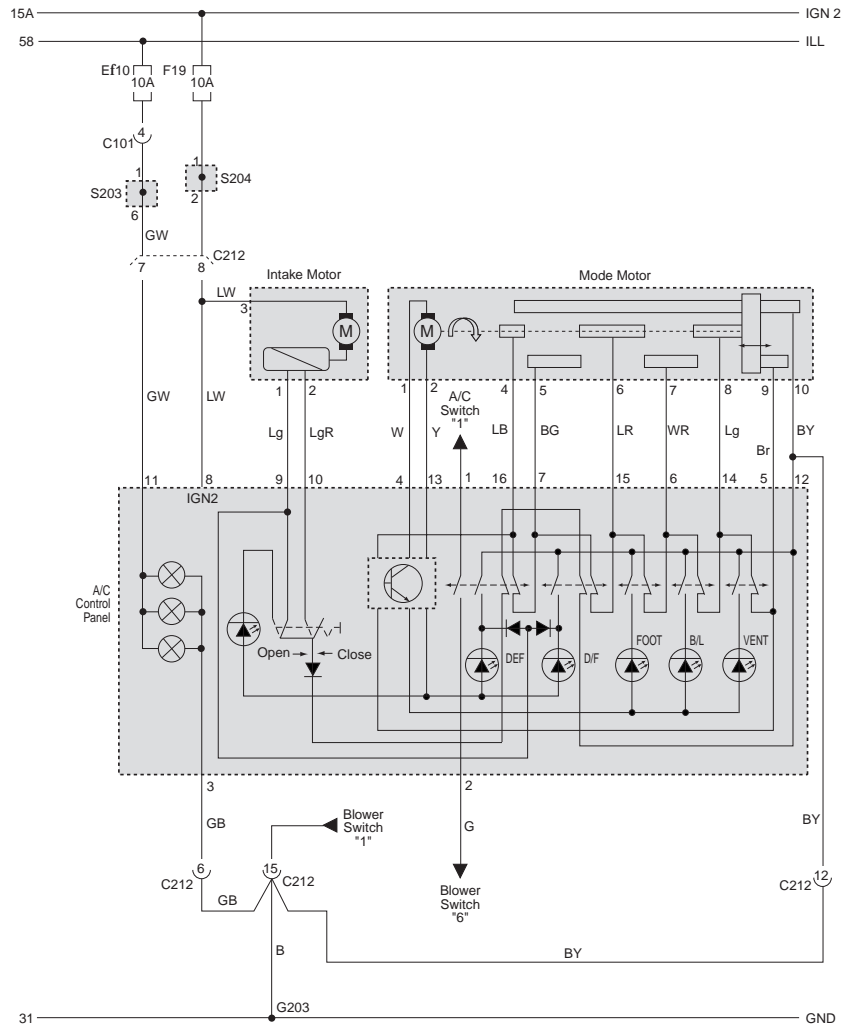
S203 (GRAY)



S204 (BLACK)



3) INTAKE MOTOR, MODE MOTOR CIRCUIT



a. CONNECTOR INFORMATION

CONNECTOR(NUMBER)	CONNECTING. WIRING HARNESS	CONNECTOR POSITION
C101 (21Pin, Colorless)	Main - Engine	Inside The Engine Room Fuse Block
C212 (17Pin, White)	Main - Air Con	Behind The Glove Box
S203 (Gray)	Main	Under Right The Audio
S204 (Black)	Main	Upper Right The Audio
G203	Main	Upper The ECM

b. CONNECTOR IDENTIFICATION SYMBOL & PIN NUMBER POSITION

