

PROPELLER SHAFT

3310-01

GENERAL

1. SPECIFICATION

Description	Specification		
Structure	Yoke and spider type universal joint		
Joint type	Spider (Needle roller bearing)		
Number of spiders	Front	Full time T/C	1
		Part time T/C	2
	Rear		3
Outer diameter of spider (mm)	φ 17.91		
Tube run-out (after installation)	below 0.4 mm		
Front shaft dimension Length x Inner diameter x Outer diameter (mm)	Diesel + M/T(A/T) + 4408 TC (Part time)	607.1 x φ 59.5 x φ 63.5 (compressed)	
	Gasoline + M/T(A/T) + 4421 TC (TOD)	577.9 x φ 44.7 x φ 50.8 (center position)	
Front shaft dimension Length x Inner diameter x Outer diameter (mm)	Diesel + M/T(A/T) + 4408 TC	(585.2 + 567.5) x φ 59.5 x φ 63.5 (compressed)	
	Gasoline + M/T(A/T) + 4421 TC	(566.1 + 567.5) x φ 59.5 x φ 63.5 (compressed)	
Unbalance	below 30 g·cm @ 4500 rpm (Front shaft + Part time TC, Rear shaft)		
	below 14.5 g·cm @ 5300 rpm (Front shaft + Full time TC)		
Front shaft dimension Length x Inner diameter x Outer diameter (mm)	DI engine + M/T(A/T) + Part time TC	575.7 x φ 59.5 x φ 63.5 (compressed)	
	DI engine + M/T(A/T) + Full time TC	560.8 x φ 44.7 x φ 50.8 (center position)	
Front shaft dimension Length x Inner diameter x Outer diameter (mm)	DI engine + M/T(A/T) + Part time TC	(565.9 + 547.6) x φ 59.6 x φ 63.5	
	DI engine + M/T(A/T) + Full time TC	(compressed)	

Modification basis	
Application basis	
Affected VIN	

PROPELLER SHAFT

REXTON 2008.07

DC 5-
SPEEDTGS
LEVERMANUAL
TRANSMISSION

CLUTCH

PART
TIMETORQUE
ONALL
WHEEL

IWE

AXLE

IOP/IRDA
AXLE

PROPELLER

STEERING

SUSPENSION

IRS
SUSPENSION

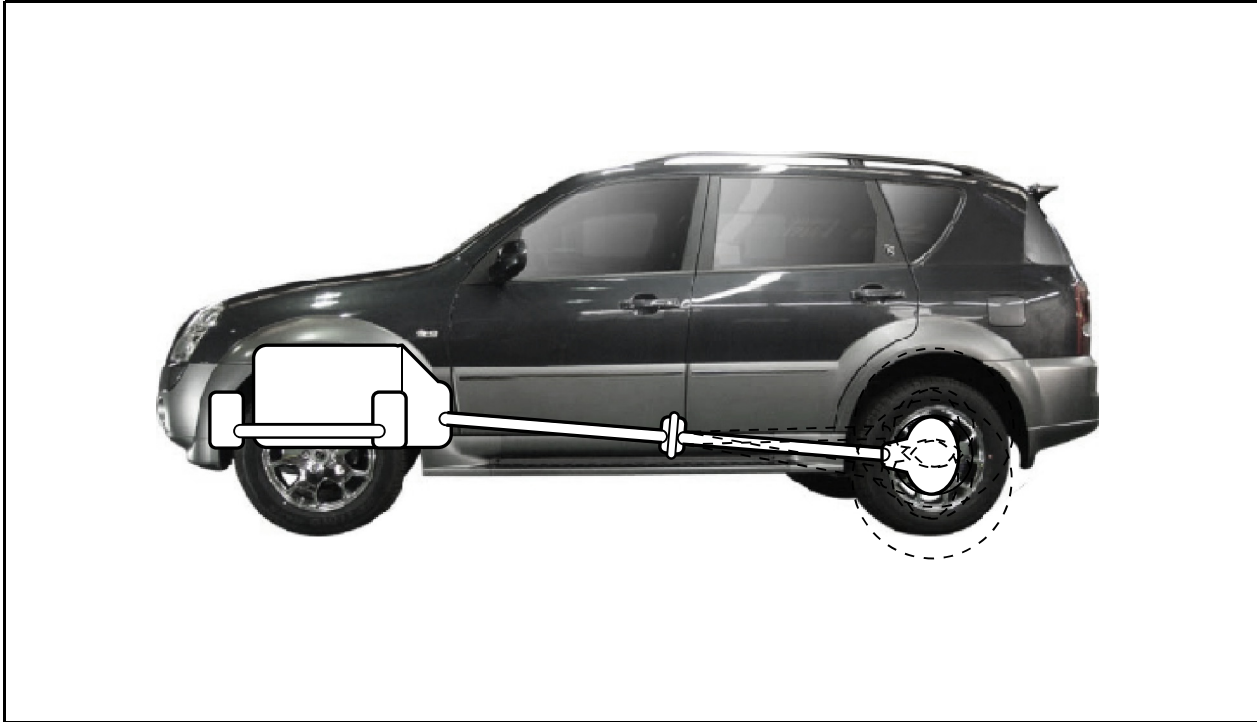
ELECTRONIC

BRAKE
SYSTEMANTI-
BRAKE

O

OVERVIEW AND OPERATION PROCESS

1. OVERVIEW



The propeller shaft transfers the power through the transmission and transfer case to the front/rear axle differential carrier (final reduction gear).

It is manufactured by a thin rounded steel pipe to have the strong resisting force against the torsion and bending.

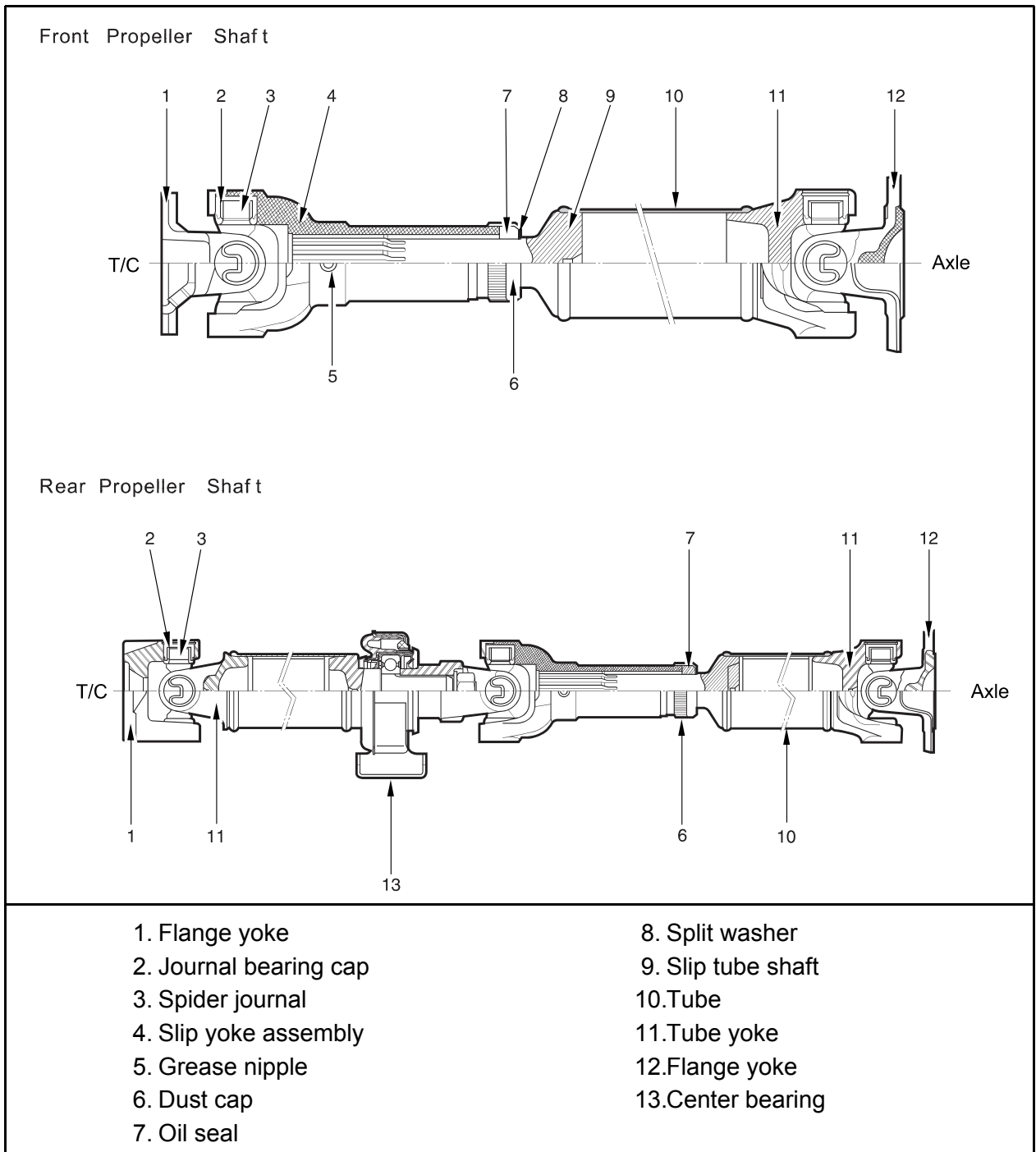
Both ends of propeller shaft are connected to the spider and the center of propeller shaft is connected to the spline to accommodate the changes of the height and length.

The rubber bushing that covers the intermediate bearing keeps the balance of rear propeller shaft and absorbs its vibration.

Modification basis	
Application basis	
Affected VIN	

2. COMPONENT LOCATOR

► Cross Sectional View



Modification basis	
Application basis	
Affected VIN	

PROPELLER SHAFT

REXTON 2008.07

DC 5-
SPEEDTGS
LEVERMANUAL
TRANSMI

CLUTCH

PART
TIMETORQUE
ONALL
WHEEL

IWE

AXLE

IOP/IRDA
AXLEPROPELL
ER

STEERING

SUSPENSION

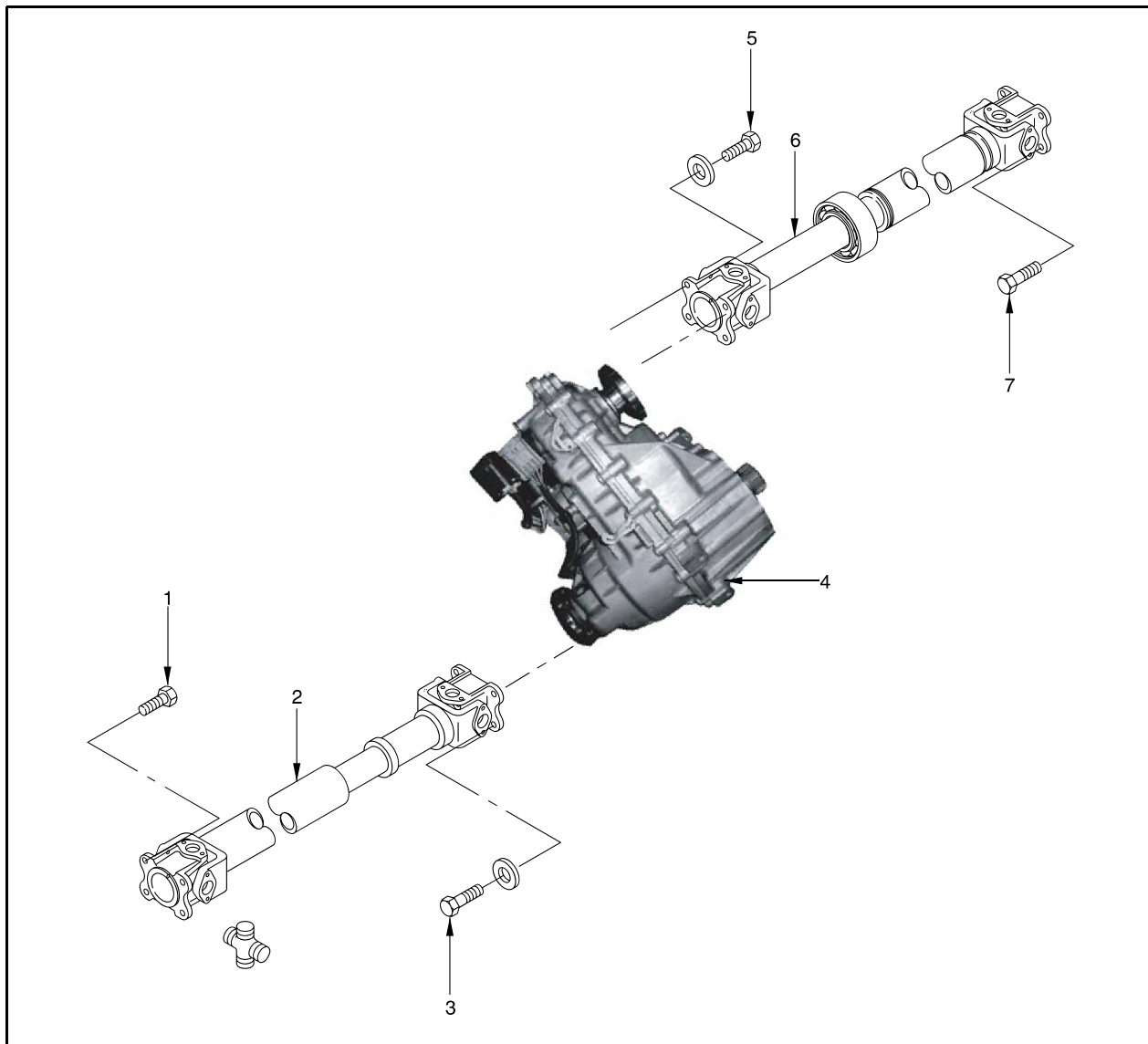
IRS
SUSPENSION

ELECTRONIC

BRAKE
SYSTEMANTI-
BRAKE

O

► PROPELLER SHAFT ASSEMBLE



- 1. Bolt
- 2. Front propeller shaft
- 3. Bolt
- 4. Transfer case

- 5. Bolt
- 6. Rear propeller shaft
- 7. Bolt

Modification basis	
Application basis	
Affected VIN	