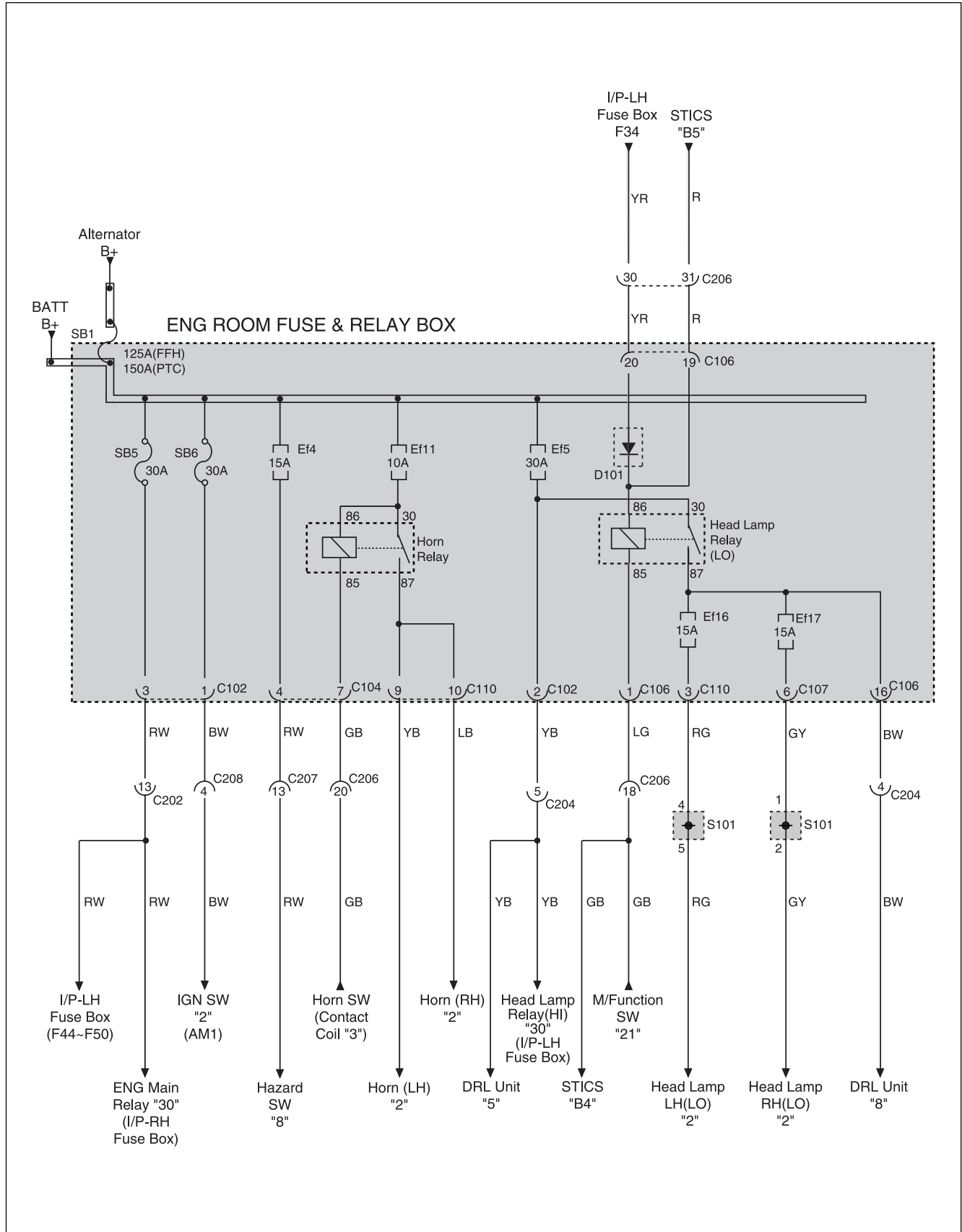




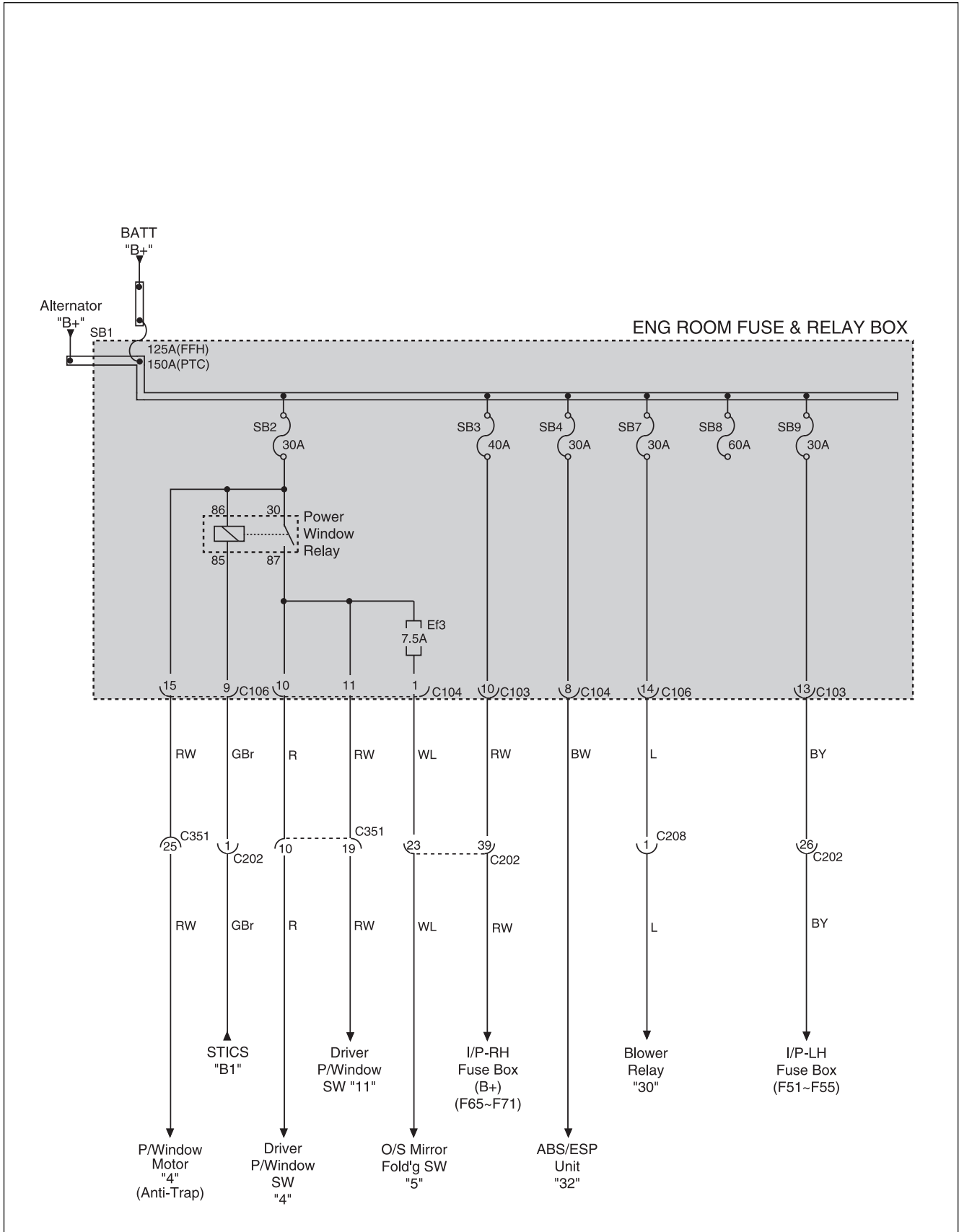
1. ENGINE ROOM FUSE & RELAY BOX CIRCUIT 8410

1) SB5, SB6, Ef4, Ef5, Ef11, EF16, EF17, HORN RELAY, HEAD LAMP RELAY (LO)





2) SB2~SB4, SB7~SB9, Ef3, POWER WINDOW RELAY



01

02

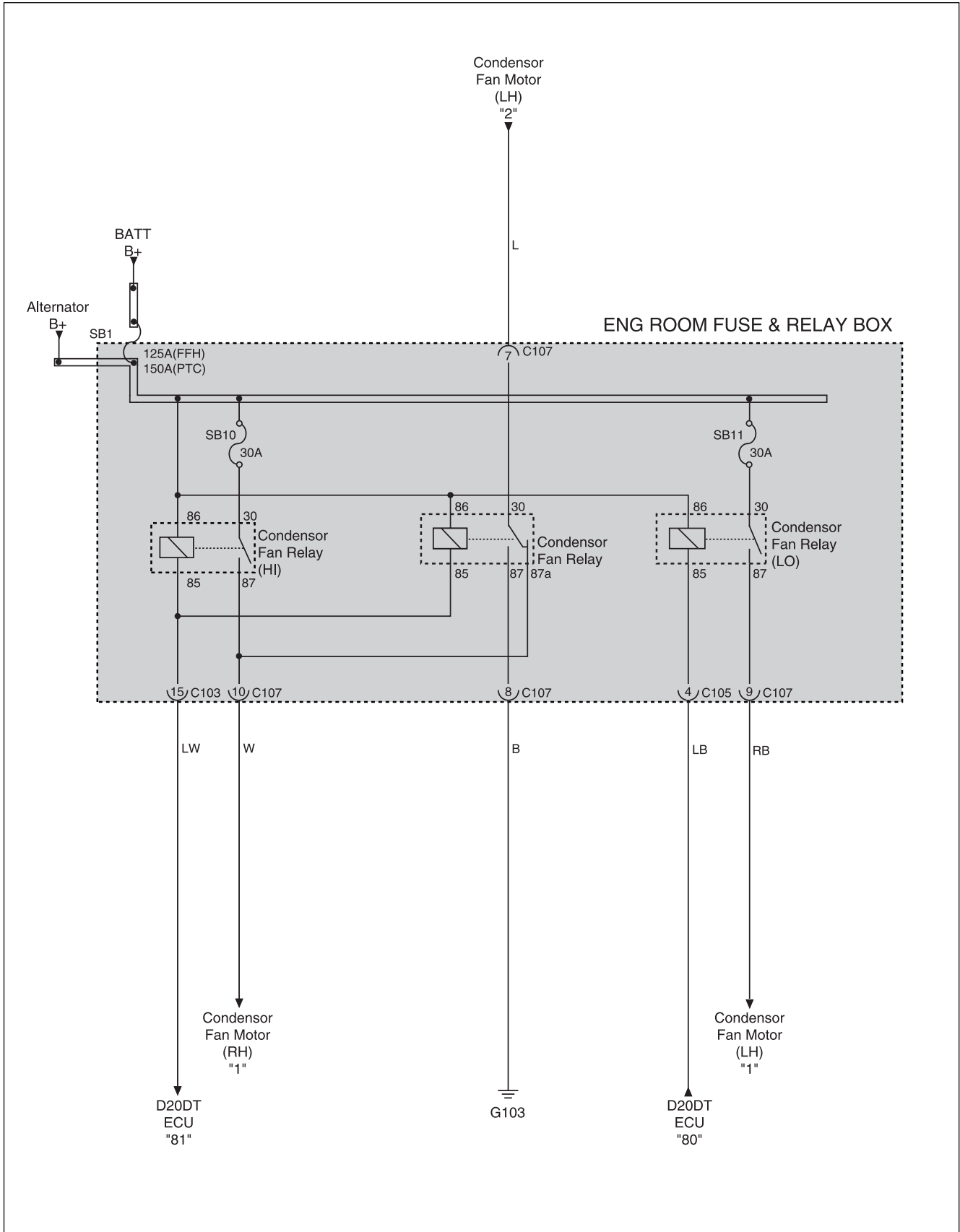
03

04

05



3) SB10 ~ SB11, CONDENSOR FAN RELAY (HI, LO)





4) SB12 ~ SB16, START RELAY, PTC RELAY

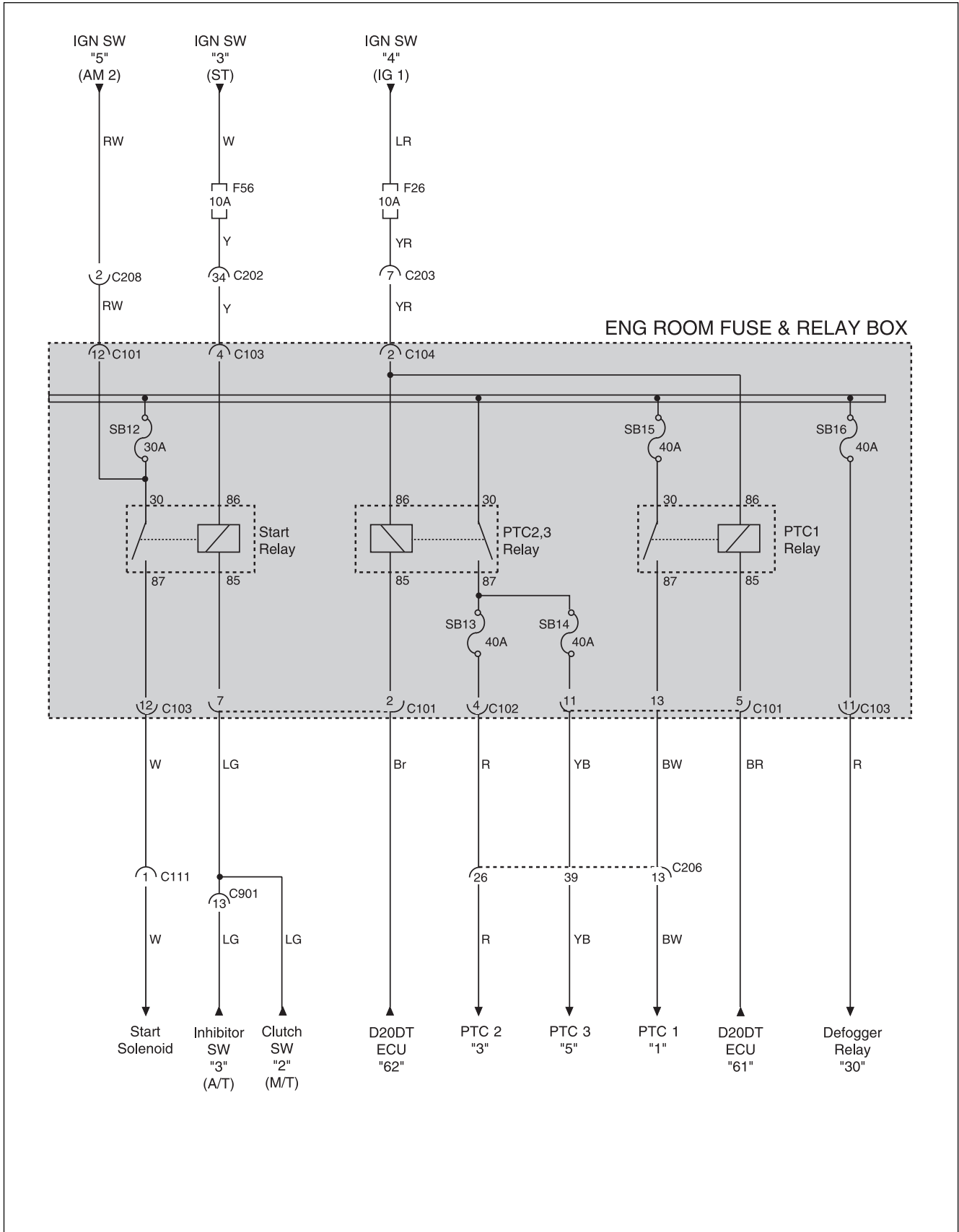
01

02

03

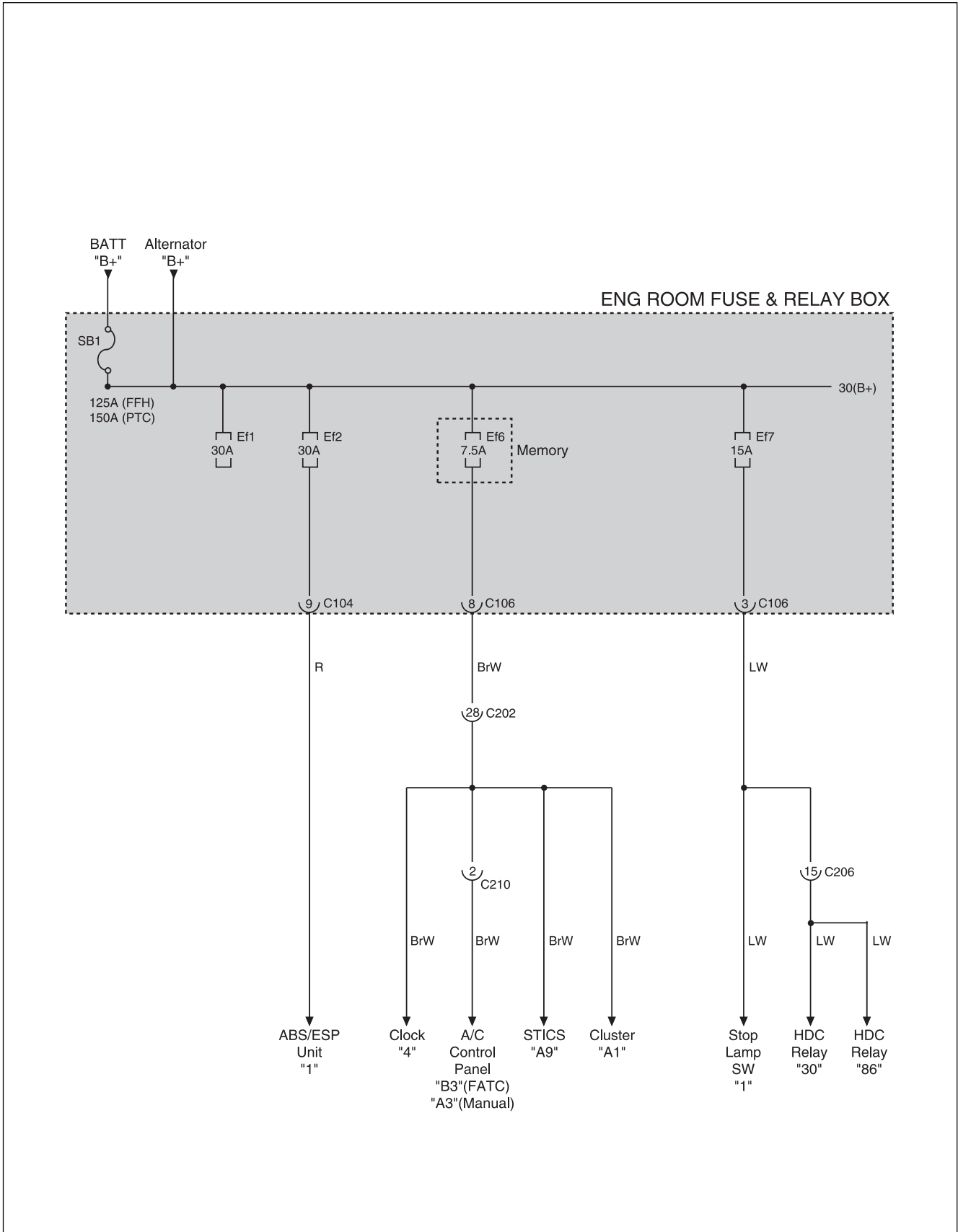
04

05



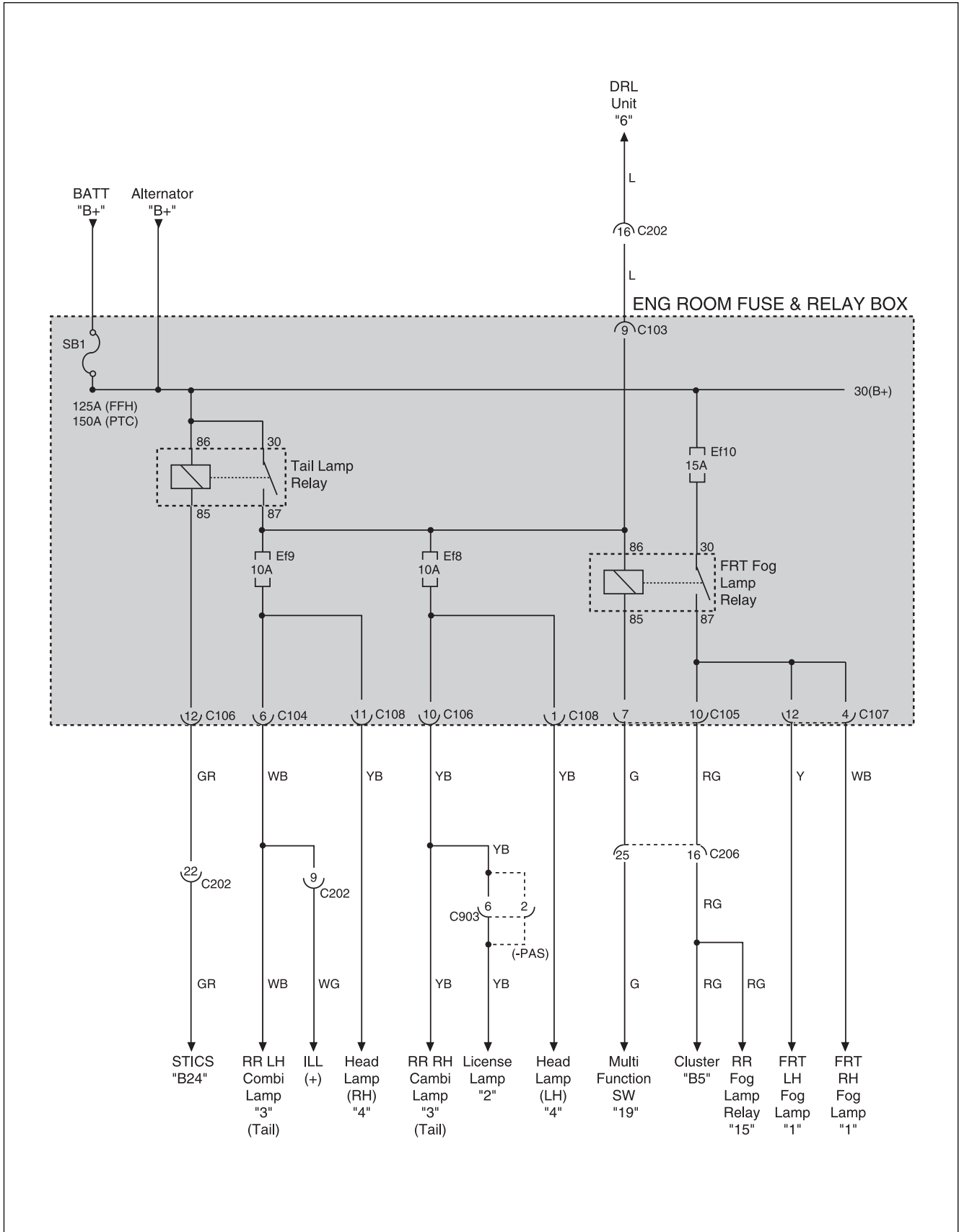


5) Ef1, Ef2, Ef6, Ef7





6) Ef8 ~ Ef10, TAIL LAMP RELAY, FRT FOG LAMP RELAY



01

02

03

04

05



7) Ef12 ~ Ef15, Ef18 ~ Ef23, COMPRESSOR RELAY

